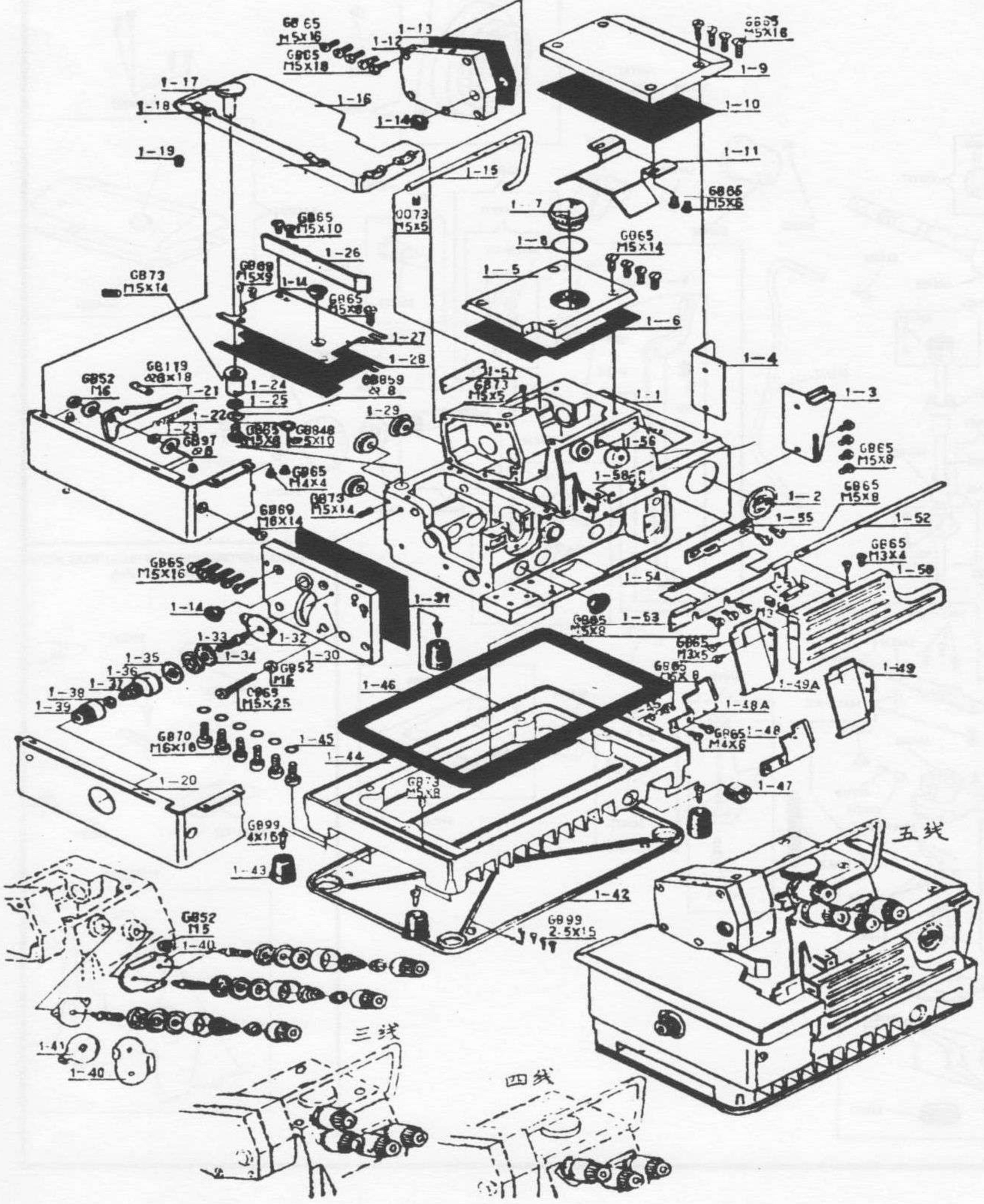


I.FRAME ASSEMBLY

Ref.No.	Description
1-1	Machine frame
1-2	Trade mark plate
1-3	Pulley guard(front)
1-4	Pulley guard(rear)
1-5	Upper cover
1-6	Upper cover gasket
1-7	Oil sight cap
1-8	Oil seal ring
1-9	Upper cover (right)
1-10	Upper cover gasket
1-11	Oil baffle plate
1-12	Upper side cover(left)
1-13	Left side cover gasket
1-14	Oil seal plug
1-15	Thread guide bar
1-16	Cloth plate
1-17	Cloth plate hinge
1-18	Cloth plate connecting pad
1-19	Cloth plate rubber pad
1-20	Cloth plate lower cover
1-21	Cloth plate latch
1-22	Cloth plate latch spring
1-23	Cloth plate latch spring Washer
1-24	Cloth plate eccentric bushing
1-25	Cloth plate washer
1-26	Fabric guide glate
1-27	Upper cover(left)
1-28	Upper cover(left)gasket
1-29	Looper shaft cap
1-30	Lower side cover(left)
1-31	Lower side cover(left)gasket
1-32	Thread guide
1-33	Thread tension post
1-34	Thread tension disc felt
1-35	Thread tension disc
1-36	Thread tension spring housing
1-37	Thread tension spring
1-38	Thread tension spring retainer
1-39	Thread tension spring nut
1-40	Thread guide(for Five-thread)
1-41	Thread guide Regulator(for Five-thread)
1-42	Bottom tray
1-43	Shockproof cushion

Ref.No.	Description
1-44	Oil reservoir
1-45	Oil seal ring
1-46	Oil reservoir gasket
1-47	Oil pipe set
1-48	Front Cover(left)(for Five-thread)
1-48a	Front Cover plate(for Three-thread/Four-thread)
1-49	Front cover plate(for Five-thread)
1-49a	Front cover plate(for Three-thread/Four-thread)
1-50	Front cover
1-51	Front cover Loking fastener tongue
1-52	Front cover hinge pin
1-53	Front cover lower hinge
1-54	Front cover hinge spring
1-55	Front cover Loking fastener
1-56	Modea plate
1-57	Trade Mark plate
1-58	Thread guide tube
GB70-60 M6x8	Hexagon socket screw M6x8
GB68-66 M5x8	Counter Sunk screw M5x8
GB69-66 M6x14	Half counter sunk screw M6x14
GB73-66 M5x5	Headless set screw M5X5
GB73-66 M5x8	Headless set screw M5X8
GB73-66 M5x14	Headless set screw M5X14
GB52-66 M5	Hexagon nut M5
GB52-66 M6	Hexagon nut M6
GB39-66 M3	Square nut M3
GB848-66.5	Washer 5
GB848-66.6	Washer 6
Φ 2 x 6	Model plate rivet Φ 2x6
GB119-66 Φ 6x18	Pin Φ 6x18
GB859-66.8	Sping Washer 8
GB99-66 M2.5x15	Counter Sunk Wood screw M2.5X15
GB99-66 M4x15	Counter Sunk Wood screw M4X15
GB65-66 M3x4	Cheese head screw M3x4
GB65-66 M3x5	Cheese head screw M3x5
GB65-66 M4X4	Cheese head screw M4x4
GB65-66 M4X6	Cheese head screw M4x6
GB65-66 M5X8	Cheese head screw M5x8
GB65-66 M5X6	Cheese head screw M5x6
GB65-66 M5X10	Cheese head screw M5x10
GB65-66 M5X14	Cheese head screw M5x14
GB65-66 M5X16	Cheese head screw M5x16
GB65-66 M5X18	Cheese head screw M5x18
GB65-66 M5X25	Cheese head screw M5x25
GB65-66 M6X8	Cheese head screw M6x8
Φ 4 x 5	Rivet Φ 4x5



II. MAIN SHAFT & NEEDLE BAR ASSEMBLIES

Ref.No.	Description
2-1	Traveling needle guard
2-2	Needle thread guard
2-3	Chain stitch needle thread guard bracket
2-4	Chain stitch needle thread guard
2-5	Needle
2-6	Needle holder (for Five-thread)
2-6a	Needle holder (for Four-thread)
2-6b	Needle holder (for Three-thread)
2-7	Thread retainer spring bushing
2-8	Thread retainer spring
2-9	Thread retainer plate
2-10	Thread retainer bracket
2-11	Needle bar bushing(lower)
2-12	Needle bar
2-13	Needle bar connecting pin
2-14	Needle bar connecting piece
2-15	Needle bar crank
2-16	Needle bar link
2-17	Needle bar bushing(upper)
2-18	Needle bar upper bushing end screw
2-19	Upper shaft bushing(front)
2-20	Upper shaft blancer
2-21	Upper shaft
2-22	Upper shaft rocker
2-23	Rocker pin
2-24	Upper shaft bushing(rear)
2-25	Oil seal plug
2-26	Needle bar connecting rod
2-27	Upper thread guide
2-28	Middle thread guide
2-29	Needle thread take-up lever
2-30	Main shaft
2-31	Main shaft blancer
2-32	Main shaft washer(rear)

Ref.No.	Description
2-33	Thrust ring
2-34	Main shaft end bushing washer
2-35	Main shaft end bushing
2-36	Oil seal ring
2-37	Pulley
2-38	Hand wheel
GB65-66	
M3x5	Cheese head screw M3x5
M4x5	Cheese head screw M4x5
M4x6	Cheese head screw M4x6
M4x10	Cheese head screw M4x10
M5x12	Cheese head screw M4x12
M5x14	Cheese head screw M5x14
M4x8	Cheese head screw M4x8
QBZF7-72 M5x14	Ball head screw M5x14
GB70-66 M6x14	Hexagonal socket screw M6x14
GB29-66 M4x16	Hexagonal slotted head screw M4x16
GB54-66 M4x2.5	Hexagonal screw M4x2.5
GB69-66 M2x4	Counter sunk screw M2x4
M3x8	Counter sunk screw M3x8
GB73-66 M3x3	Set screw M3x3
M5x5	Headless set screw M5x5
M6x5	Headless set screw M6x5
M6x16	Headless set screw M6x16
OBZF50-72 M4x8	Ball head screw M4x8
Φ 3 x 3	Rivet Φ 3x3
Φ 3 x 4	Rivet Φ 3x4
Φ 4 x 5	Rivet Φ 4x5
Φ 4 x 6	Rivet Φ 4x6
80201 12x32x10	Ball bearing 12x32x10
80202 15x35x11	Ball bearing 15x35x10
80200 10x30x9	Ball bearing 10x30x9
32641/14K 14x18x13	Needle bearing 14x38x3

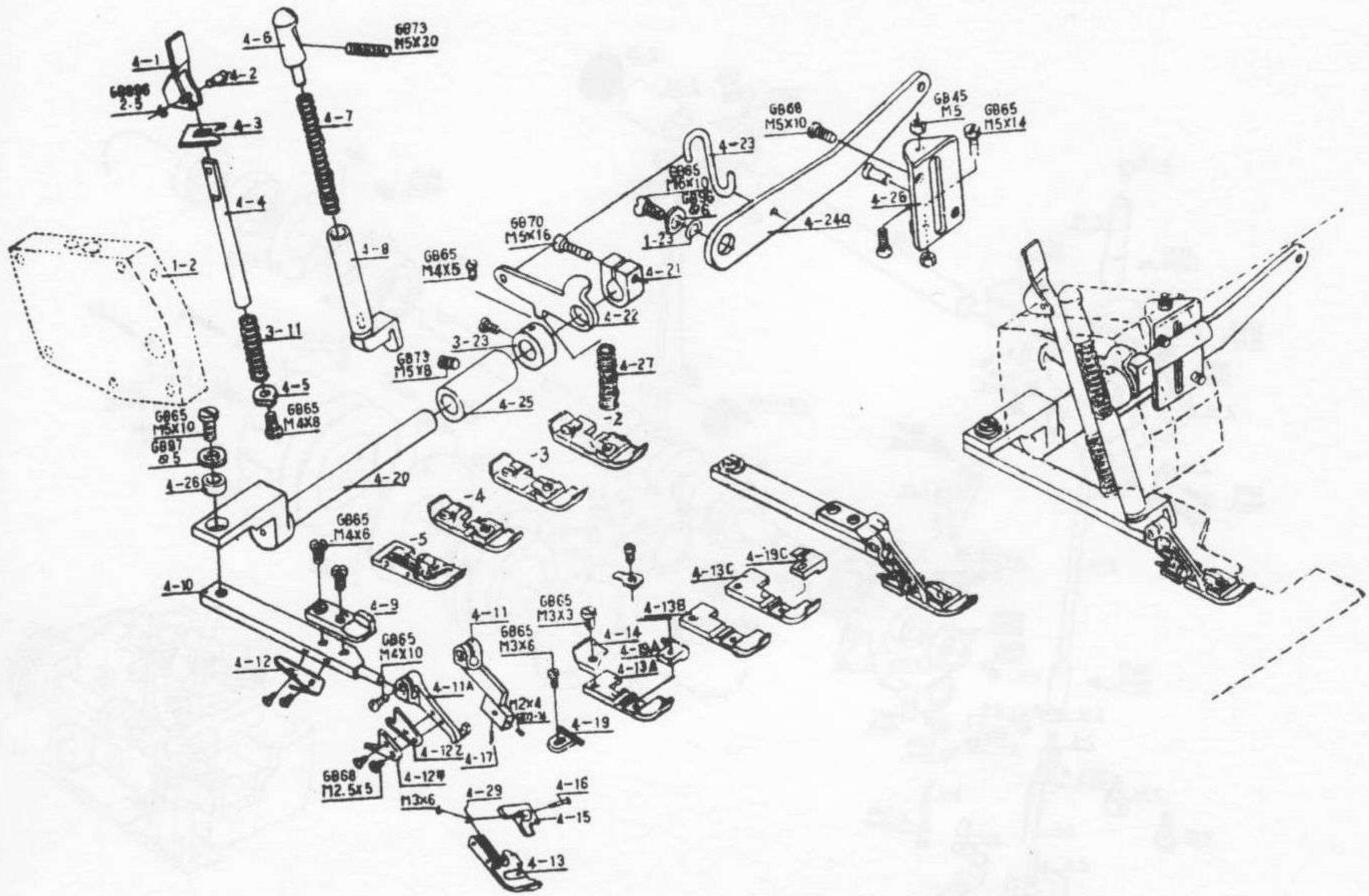
III.FEED,FEED RAR LIFT,AND STITCH LENGTH REGULATOR ASSEMBLES

Ref.No.	Description
3-1	Throat plate support
3-2a	Throat plate (for Five-thread)
3-3	Throat plate (for Two/Three/Four-thread)
3-3a	Throat plate stitch tongue (for Five-thread)
3-3b	Throat plate stitch tongue(for Four-thread)
3-3	Throat plate stitch tongue(for Three-thread)
3-4	Main feed dog(for Five-thread)
3-4a	Main feed dog(for Two/Three/Four-thread)
3-5	Differential
3-6	Oil seal plate(outside)
3-7	Nylon oil shield
3-8	Il seal plate(inside)
3-9	Clutching needle eccentric spring leaf
3-10	Clutching needle eccentric
3-11	Push button stud spring for clutching needle eccentric
3-12	Clutching needle eccentric push button stud
3-13	Feed conecting rod
3-14	Feed eccentric
3-15	Feed eccentric bracket
3-16	Wing washer
3-17	Feed eccentric bracket shoulder screw
3-18	Feed shaft end cap
3-19	Feed rocker
3-20	Feed shaft thrust collar
3-21	Feed shaft
3-22	Feed bar regulating eccentric stud
3-23	Feed bar regulating eccentric stud thrust collar
3-24	Feed bar regulating eccentric stud thrust slide
Black collar	
3-25	Cover for 3-24
3-26	Main feed bar crank screw
3-27	Main feed bar crank(for Three/Four/Five-thread)
3-28	Main feed bar slide block
3-29	Main feed bar
3-30	Differential feed bar
3-31	Feed bar support(right)
3-32	Feed bar support(left)
3-33	Feed bar lift slide block
3-34	Feed bar lift eccentric
3-35	Differential feed bar crank
3-36	Feed shaft bushing(front)

Ref.No.	Description
3-37	Sliding guide for 3-35
3-38	Cover for 3-35
3-39	Differential feed bar link
3-40	Differential feed handle spring
3-41	Screw for 3-40
3-42	Differential feed handle connection screw
3-43	Differential feed handle crank
3-44	Differential feed handle stud
3-45	Bushing for 3-44
3-46	Differential feed handle regulating screw
3-47a	Differential feed handle
3-48	Stop nut for 3-47
3-49	Differential feed handle stoper
3-50	Differenm Stial feed scale plate
3-51	Adjusting screw for 3-47
GB65-66 M3x5	Cheese head screw M3 x5
M3x6	Cheese head screw M3 x6
M4 x5	Cheese head screw M4 x5
M4 x6	Cheese head screw M4 x6
M5 x8	Cheese head screw M5 x8
M5 x10	Cheese head screw M5 x10
M5 x12	Cheese head screw M5 x12
M5 x14	Cheese head screw M5 x14
M5 x25	Cheese head screw M5 x25
GB68-66 M2X4	Headless set screw M2 x4
M2.5 X8	Headless set screw M2.5 x8
M4 X8	Headless set screw M4 x8
GB18-66 M4X14	Hexagon screw M4x 14
M4 X6	Hexagon screw M4x 6
GB29-66 M4X7	Hexagon slotted head screw M4 x7
M4 X8	Hexagon slotted head screw M4 x8
GB52-66 M4	Hexagon nut M4
M5	Hexagon nut M5
GB73-66 M3X6	Set screw M3 x6
M4 X4	Set screw M4 x4
M4 X5	Set screw M4 x5
M4 X6	Set screw M4 x6
M5 X6	Set screw M5 x6
M5 X10	Set screw M5 x10
M5 X12	Set screw M5 x12
QBZF50-72 M4X8	Cheese head set screw M4 x8
GB97-66 Φ 3 Φ 6	Washer Φ 6
GB896-67 4	Snap ting Φ 4

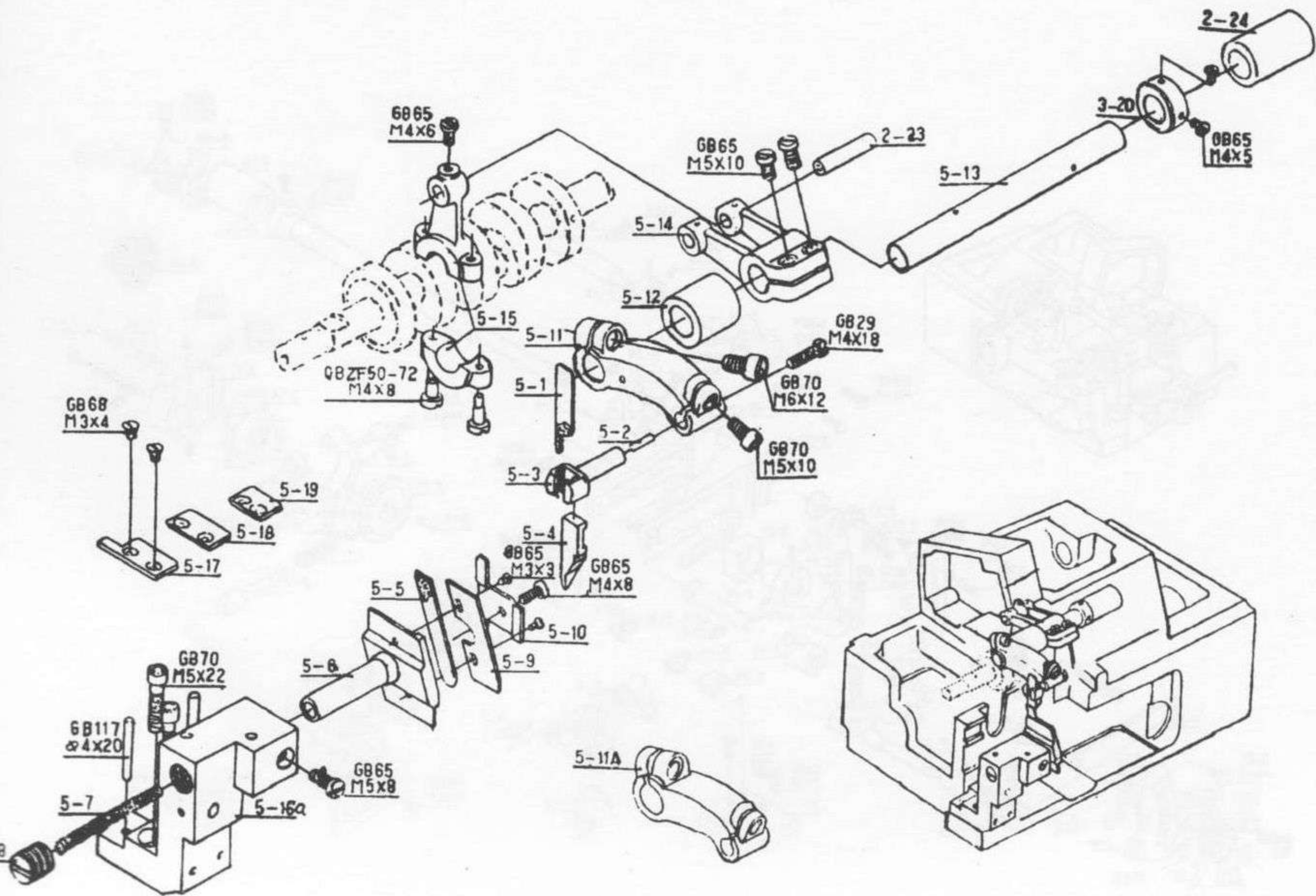
IV.PRESSER FOOT ASSEMBLY

Ref.No.	Description
4-1	Presser foot lifting handle
4-2	Pin for 4-1
4-3	Spacer for 4-1
4-4	Presser foot lifting pin
4-5	Presser foot lifting bar cap
4-6	Presser regulating pin
4-7	Presser foot spring
4-8	Presser bar
4-9	Presser foot guide block
4-10	Presser foot arm (for Five-thread)
4-10a	Presser foot arm (for Two/Three/Four-thread)
4-11	Presser foot holder
4-12a	Thread cutter(upper)
4-12b	Thread cutter(lower)
4-13	Presser foot(for Five-thread)
4-13a	Presser foot(for Four-thread)
4-13b	Presser foot(for Three-thread)
4-13c	Presser foot(for Two-thread)
4-14	Presser foot fabric guide plate
4-15	Auxiliary presser foot(for Five-thread)
4-16	Hinge screw for 4-15
4-17	Spring foot for 4-15
4-18	Presser foot holder spring leaf
4-19	Presser foot stitch tongue(for Five-thread)
4-19a	Presser foot stitch tongue(for Three/Four-thread)
4-19c	Presser foot stitch tongue(for Two-thread)
4-20	Presser foot shaft
4-21	Presser foot lifting arm thrust collar
4-22	Presser foot lifting arm
4-23	Presser foot lifting hook
4-24a	Presser foot lifting lever
4-25	Presser foot shaft bushing
4-26	Presser foot lifting lever stoper
4-27	Presser foot lifting spring
4-28	Presser foot arm ferrule
4-29	Presser for spring
GB65-66 M3x3	M3X3 Cheese head screw M3x3
M 3x6	Cheese head screw M3x6
M 4x6	Cheese head screw M4x6
M 4x10	Cheese head screw M4x10
M 5x10	Cheese head screw M5x10
M 5x14	Cheese head screw M5x14
M6x10	Cheese head screw M6x10
GB70-66 M5x16	Hexagonal socket screw M5x16
GB68-66 M2.5x5	Counter sunk screw M2.5x5
M5x10	Counter sunk sunk M5610
GB73-66 M5x8	Set screw M5x8
GB73-66 M2x4	Set screw M2x4
M5X20	Set screw M5x20
GB45-66 M5	Hexagon nut M5
GB97-66 §15	Washer §15
§16	Washer §16
GB869-67 2.5	Snap ring 2.5



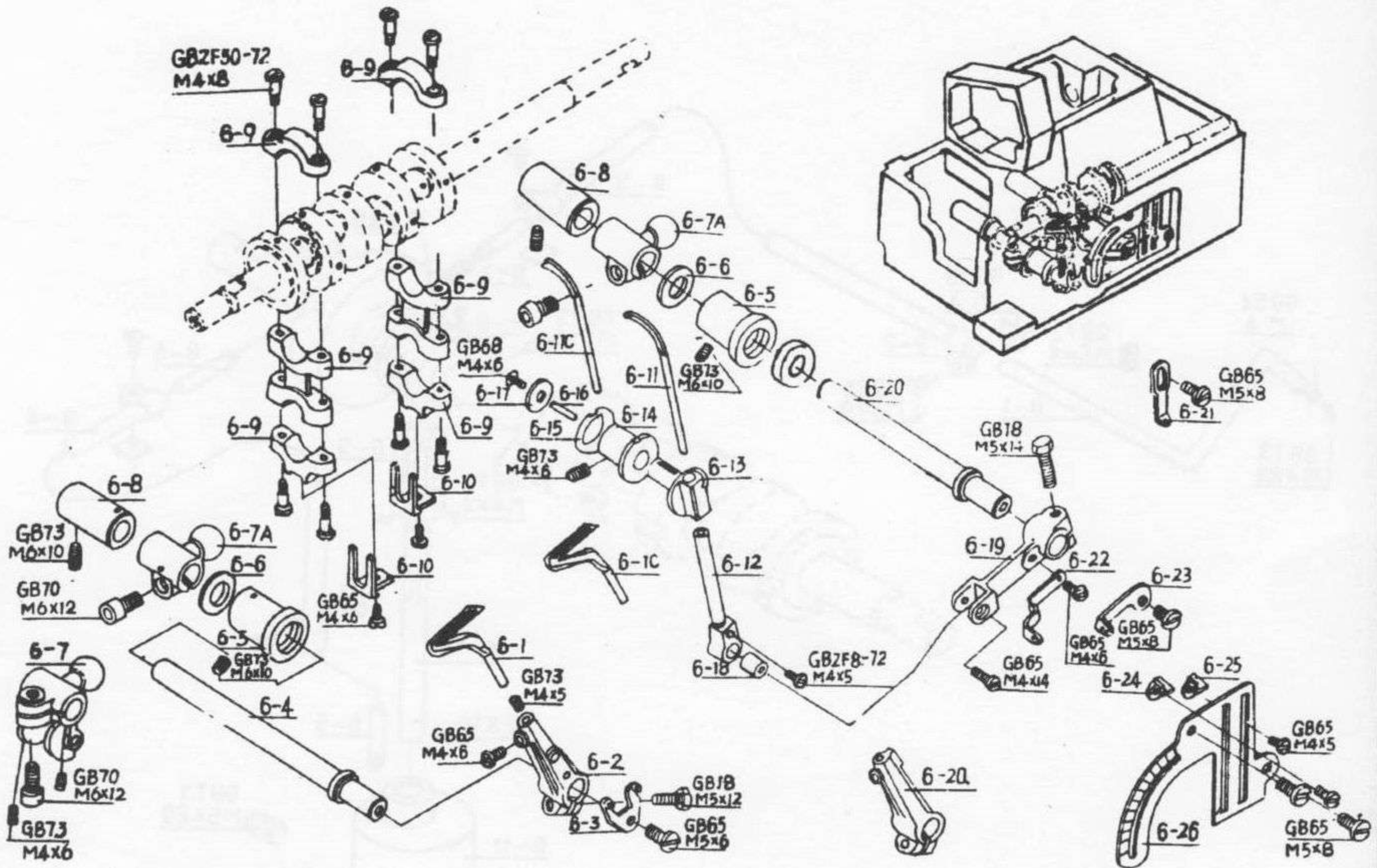
V.TRIMMING KNIFE ASSEMBLY

Ref.No.	Description
5-1	Upper knife
5-2	Upper knife bracket pin
5-3	Upper knife bracket
5-4	Upper knife holder
5-5	Lower knife
5-6	Lower knife bracket
5-7	Lower knife bracket spring
5-8	Lower knife pressure adjusting screw
5-9	Lower knife spacer
5-10	Lower knife presser plate
5-11	Upper knife bracket crank(for Five -thread)
5-11a	Upper knife bracket crank(for Two/Three-thread)
5-12	Upper knife shaft bushing(front)
5-13	Upper knife shaft
5-14	Upper knife rocker
5-15	Upper knife link
5-16a	Lower knife bracket
5-18	Knife spacer presser plate(for Three/Four-thread)
5-19	Knife spacer presser plate(for Five-thread)
GB95-66 M3x3	Cheese head screw M3x3
M4x6	Cheese head screw M4x6
M4x8	Cheese head screw M4x8
M5x8	Cheese head screw M5x8
M5x10	Cheese head screw M5x10
GB70-66 M5x10	Hexagonal socket screw M5x10
M6x12	Hexagonal socket screw M6x12
M5x22	Hexagonal socket screw M5x22
GB68-66 M3x4	Counter sunk screw M3x4
GB29-66 M4x18	Hexagonal slotted screw M4x18
QBZF50-27 M4x8	Cheese head set screw M4x8
GB117066 4x20	Taper pin 4x20
Φ 4x 6	River Φ 4x 6



VI. Upper & Lower Loper Assemblies

Ref.No.	Description
6-1	Lower looper
6-2	Lower looper rocker for (Five-thread)
6-2a	Lower looper rocker
6-3	Lower looper thread take-up
6-4	Lower looper shaft
6-5	Lower looper shaft bushing(front)
6-6	Ball crank friction washer
6-7	Looper ball crank (for Five-thread)
6-7a	Looper ball crank(for Three/Four-thread)
6-8	Looper shaft bushing(rear)
6-9	Looper link
6-10	Looper link guide fork
6-11	Upper looper
6-11c	Spreader
6-12	Upper looper slide bar
6-13	Upper looper guide
6-14	Upper looper guide bushing
6-15	Rubber ring for 6-14
6-16	Upper looper guide oil wick
6-17	Taper hole thrust washer
6-18	Upper looper slide bar pin
6-19	Upper looper oscillating lever
6-20	Upper looper shaft
6-21	Upper thread guide
6-22	Lower looper thread take-up lever
6-23	Upper looper thread take-up lever
6-24	Adjustable thread guide(left)
6-25	Adjustable thread guide(right)
6-26	Thread amount regulation graduation plate
GB65-66 M4x6	Cheese head screw M4x6
M5x8	Cheese head screw M5x8
M465	Cheese head screw M4x5
M4616	Cheese head screw M4x14
M5x6	Cheese head screw M5x6
QBZF8-72 M4x5	Cheese head screw M4x5
GB18-66 M5x12	Cheese head screw M5x12
M5x14	Cheese head screw M5x14
GB70-66	
M6x12	Hexagonal socket screw M6x12
GB68-66 M4x6	Counter sunk screw M4x6
GB73-66 M4x5	Set screw M4x5
M4x6	Set screw M4x6
M6x10	Set screw M4x10
QBZF50-70 M4x8	Cheese head set screw M4x8



VII.CHAIN STITCH LOOPER ASSEMBLY

Ref.No.	Description
7-1	Chain stitch looper
7-2	Chain stitch looper thread take-up lever
7-3	Chain stitch looper driven crank
7-4	Positioner for 7-3
7-5	Chain stitch looper link
7-6	Chain stitch looper shaft
7-7	Chain stitch looper avoiding eccentric
7-8	Chain stitch looper avoiding slide block
7-9	Chain stitch looper avoiding fork
7-10	Bushing for 7-9
7-11	Washer for 7-9
7-12	Pin for 7-8
7-13	Chain stitch looper thread guide
7-14	Regulating bracket for 7-13
7-15	Chain stitch looper shaft front shaft sleeve
7-16	Chain stitch looper oscillation lever
GB65-66 M4x5	Cheese head screw M4x5
M4x18	Cheese head screw M4x18
M5x8	Cheese head screw M5x8
M5x12	Cheese head screw M5x12
GB52-66 M6x22	Hexagonal screw M6x22
GB70-66 M4x10	Hexagonal socket screw M4x10
M5x14	Hexagonal socket screw M5x14
GB73-66 M4x5	Set screw M4x5
M4x6	Set screw M4x6
GB848-66 Φ 4	Washer Φ 4
Φ 5	Washer Φ 5

VIII. LUBRICATION ASSEMBLY Ref.No.

Description

8-1	Oil splash pipe
8-2	Oil tube clamp
8-3	Oil tube(long)
8-4	Oil tube(short)
8-5	Oil tube screwed joint
8-6	Oil Supply bushing
8-7	One-way pressure value spring
8-8	Oil pump worm
8-9	Oil pump worm gear
8-10	Oil pump shaft
8-11	Oil pump body
8-12	Oil pump outer rotor
8-13	Oil pump inner rotor
8-14	Oil pump rotor base
8-15	Oil pump lower cover
8-16	Oil pump filter screen
8-17	Oil pump filter screen retainer
GB65-66 M3x8	Cheese head scew M3x8
M4x5	Cheese head scew M4x5
M4x18	Cheese head scew M4x18
GB73-66 M4x4	Set scew M4x4
M4x8	Set scew M4x8
M5x4	Set scew M5x4
M5x5	Set scew M5x5
M5x20	Set scew M5x20
GB39-66 M3	Square nut M3
Φ 3	Ball Φ 3
Φ 3 x 5	Rivet Φ 3 x 5
GB119-66 Φ 2 x 10	Pin Φ 3 x 10

